

**Submittal Data: AUU18RLF
Inverter Driven Heat Pump**

18,000 BTU Compact Cassette

Job Name: _____

Date: _____

Location: _____

Approval: _____

Engineer: _____

Construction: _____

Submitted to: _____

Unit #: _____

Submitted by: _____

Drawing #: _____

Reference: _____

General Features

- Refrigerant Type R410A
- Wired and wireless remote controller
- Auto changeover
- Weekly timer
- Removable open panel
- Super quiet operation
- Removable intake grille
- Mildew-resistant filter
- Swing operation
- 5 years standard parts warranty
- Eligible for 10 year or 12 year parts warranty. See warranty statement for details.



Temperature Setting Range

Cooling..... 64°F - 90°F (18°C - 32 °C)
Heating..... 60°F - 88°F (16°C - 30°C)

Enclosure

Material..... Galvanized Steel Sheet

Sound Pressure Level

Cooling
High/Medium/Low/Quiet..... 40 dB (A) / 40 dB (A) / 36 dB (A) / 32 dB (A)
Heating
High/Medium/Low/Quiet..... 44 dB (A) / 40 dB (A) / 36 dB (A) / 30 dB (A)

Dimensions

H x W x D
in. (mm)..... 9-21/32 x 22-7/16 x 22-7/16 (245x570x570)
Cassette Grille..... UTG-CCGF (sold separately)
H x W x D
in. (mm)..... 1-15/16 x 27-9/16 x 27-9/16 (49x700x700)

Connection Pipe

Liquid..... 1/4" in. (6.35 mm)
Gas..... 1/2" in. (12.70 mm)
Method (Liquid/Gas)..... Flare
Drain hose

Material..... Hard PVC
Size..... Ø3/4 (I.D.), Ø1-1/16 (O.D.) [Ø20.7 (I.D.), Ø26.6 (O.D.) mm]

Internal Drain Pump

Internal lift..... 27-9/16"

Weight

Net..... 33 lbs. (15 kg)
Gross..... 40 lbs. (18 kg)
Cassette Grille..... 5.7 lbs. (2.6 kg) Net / 10 lbs. (4.5 kg) Gross

Accessories

Wired Remote Controller..... UTY-RNNUM
Backlit Display..... UTY-RVNUM
Simple Remote Controller..... UTY-RSNUM
Wireless Remote Controller..... UTY-LNHUM
Dry Contact Wire Kit..... UTY-XWZX
High Humidity Insulation Kit..... UTZ-KXGC
Air Outlet Shutter Plate..... UTR-YDZB
Fresh Air Intake..... UTZ-VXAA

Intertek®ETL Number

AUU18RLF..... 3170288

Model Information

Evaporator..... AUU18RLF
Condenser compatibility..... AOU18RLFC, AOU24RLXFZ, AOU24RLXFZH, AOU36RLXFZ, AOU36RLXFZ1, AOU36RLXFZH, AOU45RLXFZ, AOU48RLXFZ, AOU48RLXFZ1

Electrical

Available Voltage Range..... 208/230V AC 1ph-60Hz
Input Power..... 208/230 +/- 10%

Cooling..... 1.61 kW (rated) / 2.15 kW (max)
Heating..... 1.76 kW (rated) / 2.60 kW (max)
Current
Cooling..... 7.1 A
Heating..... 7.7 A

Capacity

Nominal Cooling..... 18,000 Btu/h
Nominal Heating..... 21,600 Btu/h
Cooling..... 3,100 - 20,100 Btu/h (Min - Max)
Heating..... 3,100 - 25,600 Btu/h (Min - Max)

Fan Motor

Type: DC..... Turbo fan x1
Motor Output..... 54 W
Fan Motor Protection..... off: 268 +30°F -34°F (131 +17°C -19°C)
on: 210 +38°F -34°F (99 +21°C -19°C)

Airflow Rate

Cooling (High / Medium / Low / Quiet)
400 CFM (680 m3/h) / 341 CFM (580 m3/h) / 288 CFM (490 m3/h) / 241 CFM (410 m3/h)
Heating (High / Medium / Low / Quiet)
471 CFM (800 m3/h) / 400 CFM (680 m3/h) / 341 CFM (580 m3/h) / 265 CFM (450 m3/h)

Heat Exchanger

Dimensions
(H x W x D) in. (mm)..... 8-9/32 x 51-9/16 x 17/32 + 8-9/32 x 49-7/32 x 17/32 (210x1310x13.3 + 210x1250x13.3)
Fin Pitch..... 21 FPI
Rows x Stages..... 2 x 10
Pipe Type (Material)..... Copper
Fin Type..... Aluminum

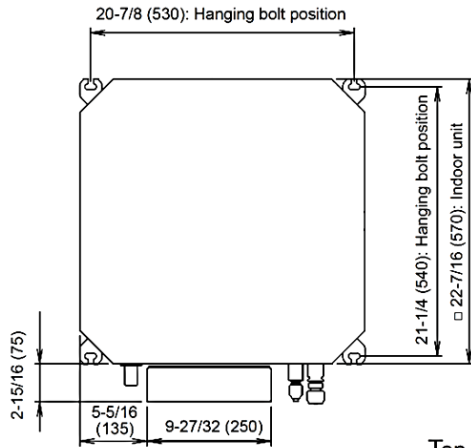
Note: Specifications are based on the following conditions.
Cooling: Indoor temperature of 80°F (26.7°C) DB/67°F (19.44°C) WB, and outdoor temperature of 95°F (35°C) DB/75°F (23.9°C) WB.
Heating: Indoor temperature of 70°F (21.1°C) DB/59°F (15.°C) WB, and outdoor temperature of 47°F (8.33°C) DB/43°F (6.11°C) WB.
Pipe length: 24ft. 7in. (7.5m), Height difference: 0ft. (0m) (Outdoor unit - indoor unit)



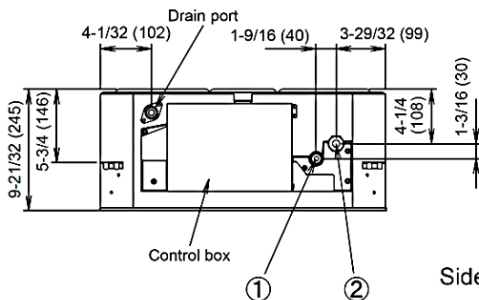
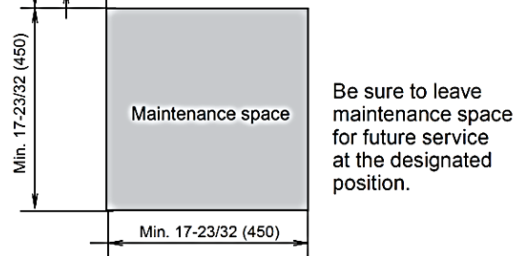
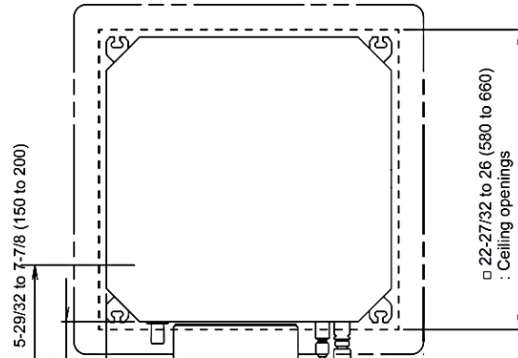
Dimensions: AUU18RLF

[Unit: in. (mm)]

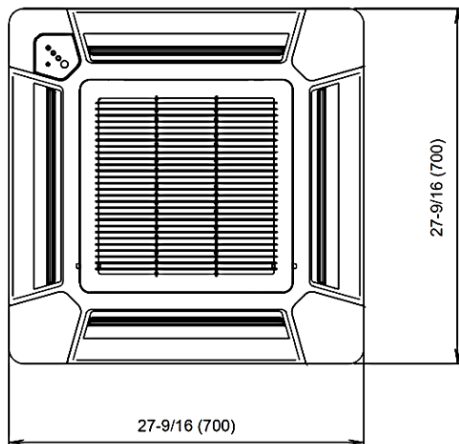
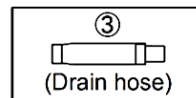
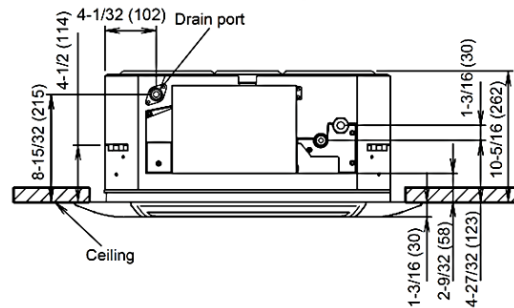
• Cassette grille mounting state



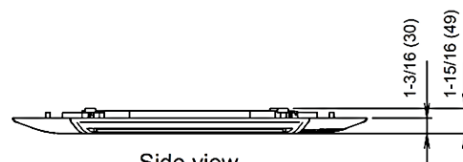
Top view



Side view



Bottom view



Side view

Dimensions: AUU18RLF

■ Installation Place

[Unit: in. (mm)]

