

**Submission Data: 36RLXB
Inverter Driven Heat Pump**

36,000 BTU Wall Mount

Job Name: _____

Date: _____

Location: _____

Approval: _____

Engineer: _____

Construction: _____

Submitted to: _____

Unit #: _____

Submitted by: _____

Drawing #: _____

Reference: _____

General Features

- Wired or wireless remote
- Apple catechin filter
- Energy Star rated
- Sleep timer
- Auto louver: 4-way
- Auto mode
- Auto changeover
- Blue fin coating
- Standard Warranty: 5 years parts, 7 years compressor. Applies to systems purchased before June 1st 2015*
- Extended Warranty: 10 years parts, 10 years compressor. Systems that have been installed on or after June 1st 2015 by licensed contractors and the online Product Registration has been submitted.**
- Elite Contractor Extended Warranty: 12 years parts, 12 years compressor. Systems that have been installed on or after June 1st 2015 by contractors who have met requirements and have been approved for elite contractor status plus, the online Product Registration has been submitted. ***

Model Information

Condenser..... AOU36RLXB
Evaporator..... ASU36RLXB

Electrical
Available Voltage Range..... 208/230V AC 1ph-60Hz
Minimum Circuit Ampacity..... 23.3 A
Max Fuse Size..... 30A
Max Starting Current..... 17 A

Input Power

Cooling..... 3.88 kW
Heating..... 3.39 kW

Running Current

Cooling..... 17 A
Heating..... 14.8 A

Capacity

Nominal Cooling..... 33,000 Btu/h
Min-Max Cooling..... 9,900 – 34,100 Btu/h
Nominal Heating..... 34,000 Btu/h
Min-Max Heating..... 10,200 – 35,000 Btu/h

Compressor

(Compressor) Type: DC..... Propeller x1
Motor Output..... 2,100 W
Refrigerant..... R410a
Charge..... 4lbs. 10.1oz
Oil..... POE (RB68)

Fan Motor

(Condenser) Type: DC..... Propeller x1
(Condenser) Motor Output..... 100 W
(Evaporator) Type: DC..... Cross flow fan x1
(Evaporator) Motor Output..... 65 W
Thermal Protection (On)..... 248 ± 27°F (120 ± 15°C)
Evaporator (Off)..... 302 ± 27°F (150 ± 15°C)
Condenser (On) 248 ± 27°F (120 ± 15°C) / (Off) 302 ± 27°F (150 ± 15°C)

Heat Exchanger

Dimensions
(H x W x D) in. (mm)..... 31-7/16 x 35-7/16 x 1-7/16 (798x900x36.4)
Fin Pitch..... 20 FPI
Rows x Stages..... 2 x 38
Pipe Type (Material)..... Copper
Fin Type (Material)..... Aluminum (Blue Fin)

Note: Specifications are based on the following conditions.
Cooling: Indoor temperature of 80°F (26.7°C) DB/67°F (19.44°C) WB, and outdoor temperature of 95°F (35°C) DB/75°F (23.9°C) WB.
Heating: Indoor temperature of 70°F (21.11°C) DB/59°F (15°C) WB, and outdoor temperature of 47°F (8.33°C) DB/43°F (6.11°C) WB.
Pipe length: 24ft. 7in. (7.5m), Height difference: 0ft. (0m) (Outdoor unit – indoor unit)



Operation Temperature Range

Cooling..... 14°F (-10°C) - 115°F (-46°C)
Heating..... 5°F (-15°C) - 75°F (-24°C)

Efficiency

SEER..... 15.5
EER (cooling)..... 2.50 kW/kW
COP (heating)..... 2.94 kW/kW
HSPF (heating)..... 9.0 Btu/h/W

Enclosure (Condenser)

Material..... Painted galvanized steel
Color..... Beige (10 YR 7.5/1.0 NN)

Sound Pressure Level

Condenser..... 55 dB(A)
Evaporator..... 50 dB(A)

Dimensions

H x W x D
Condenser in. (mm)..... 32-11/16 x 35-7/16 x 13 (830x900x330)
Evaporator in. (mm)..... 12-10/16 x 39-5/16 x 9 (320x998x228)

Connection Pipe

Liquid..... 3/8"
Gas..... 5/8"
Method (Liquid/Gas)..... Brazing
Pre-charge..... 66 ft. (20m)
Minimum Length..... 16 ft. (5m)
Max Length (Pre-charge)..... 164 ft. (50m) / (65 ft. (20m)) 0.43oz / ft. over 66 ft.
Max Height Difference..... 98 ft. (30m)

Weight

Condenser..... 134 lbs. (61 kg)
Evaporator..... 31 lbs. (14 kg)

Accessories

UTY-RVNUM..... Wired remote control (backlit, displays room temp.)
UTY-RNNUM..... Wired remote control
UTY-RSNUM..... Wired remote control (simple)

Configuration

Heating only or cooling only field setting configuration required.

Intertek® ETL Number

AOU36RLXB..... 91987
ASU36RLXB..... 91986



* 7 Year Limited WARRANTY



** 10 Year Limited WARRANTY



*** 12 Year Limited WARRANTY

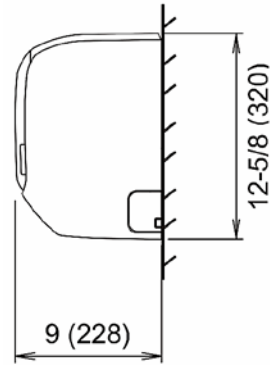
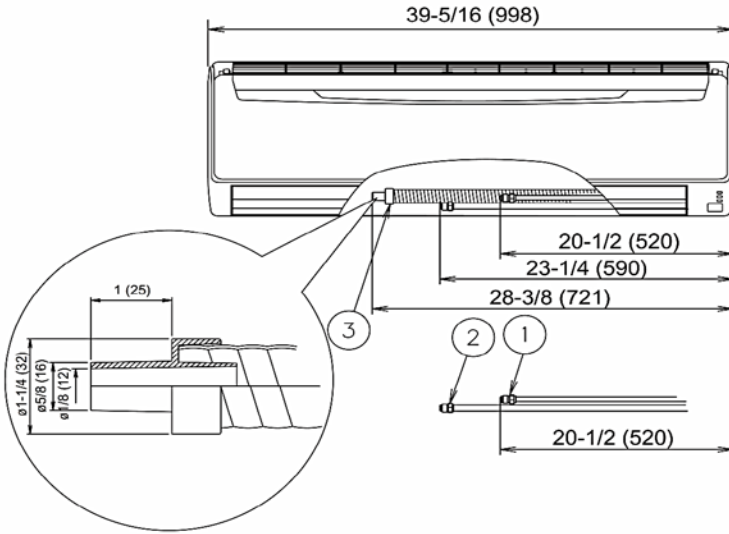


FUJITSU ELITE CONTRACTOR

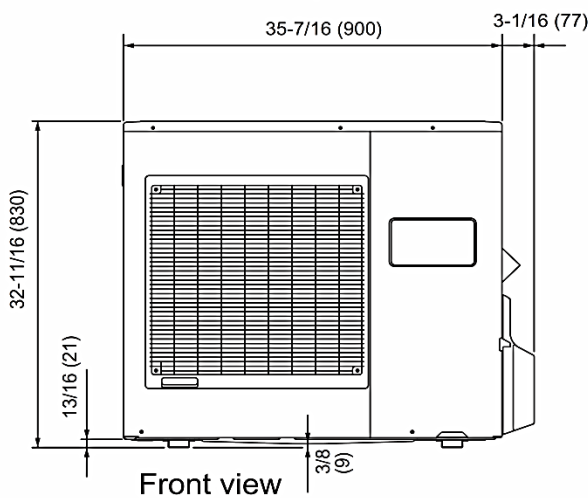
Fujitsu General America, Inc.
353 Route 46 West
Fairfield, NJ 07004
Toll Free: 1-888-888-3424
Fax: (973) 836-0447
www.fujitsugeneral.com

Dimensions:36RLXB

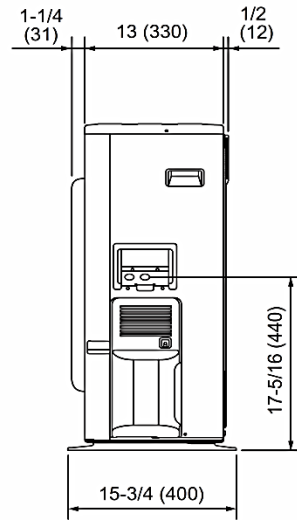
[Unit: in. (mm)]



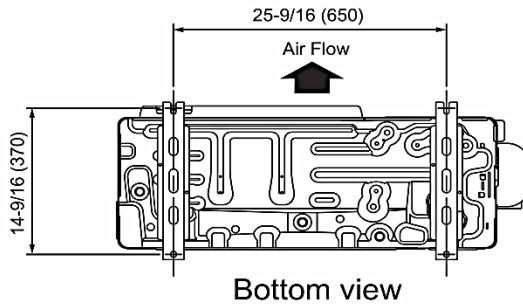
Top view



Front view



Side view



Bottom view

